



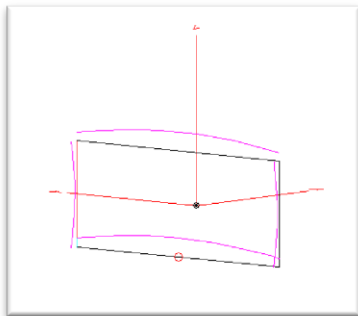
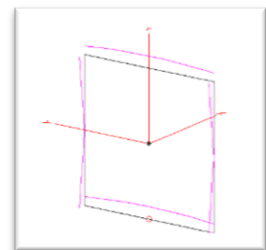
RECTANGULAR QUAD

Rectangular Quads designed by EA1DDO

Everyone knows about the quad antenna superiority. Trying to enhance the traditional quad design, Máximo - EA1DDO has created this quad layout, now available through EAntenna.

The traditional quad shape is a square, and even showing more performance over a Yagi, have some trade-off;

- Quite large space used
- Some current loss in the quad's corners



Actually both issues are sorted out in the new design. As you can see, in a traditional quad the high currents in his corners generate extra loses, lowering the overall performance.

In the Rectangular Quad, top and bottom wires are longer, keeping much more current than before, then the current in the corners are much more less and loses are quite small.

Now the performance is better. At same time the space occupied in less allowing an easier installation. Even you will get extra space for more antennas.

